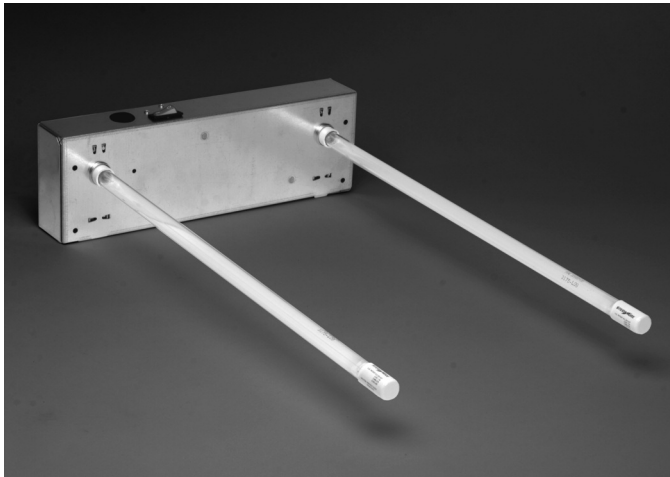


# **STERIL-AIRE**<sup>®</sup>

**UVC for HVAC**<sup>™</sup>

## **SteriLight II<sup>™</sup>** **Model RSE II Series** **UVC Emitters<sup>™</sup>**

Very High Output  
Germicidal Light Source  
for Residential Systems



Steril-Aire's multi-patented UVC Emitter<sup>™</sup> provides the best and longest-lasting germicidal ultraviolet-C performance available. The SteriLight II has been tested to deliver an average of 2.5 times the output of other ultraviolet devices under HVAC operating conditions (50° F @ 400 fpm air velocity).

Competitive UVC lights must be changed every 3-4 months because they quickly lose the output or "killing power" needed to maintain microbial control. The UVC Emitter, by contrast, has a 12-month service life – and even after a full year, it has 3 times greater output than competitive devices deliver on Day 1! As a result, only Steril-Aire can ensure the germicidal performance you need, with no return of microbial growth.

### **Applications**

SteriLight Model RSE II fixtures are designed for new and retrofit residential and light commercial applications, including conventional "A" style coils, slabs and slants up to 5 tons. The double-tube device installs quickly and easily from outside the coil box by making two one-inch holes in the box, attaching the fixture with self-tapping screws, and wiring as required (soft or hard wired). Only the Emitters penetrate into the system, while the power supply remains external. Choose from four Emitter lengths (10", 16", 20" and 24"), configurations of 10" or 14" centerlines, with a universal 120-277 V power supply.

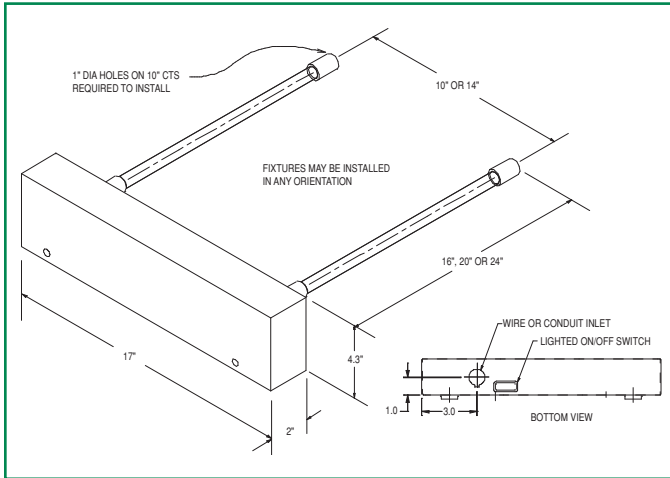
### **Benefits**

- Reduces energy costs by restoring heat transfer and net cooling capacity.
- Uses germicidal UVC irradiation proven as an effective inactivation method for mold, bacteria and viruses.
- Eliminates costly cleaning programs and the use of harmful chemicals and disinfectants by continuously cleaning coils, drain pans, plenums and ducts.
- Delivers an average of 2.5 times the output of competitive UVC products at HVAC operating temperatures, for longer life and more reliable germicidal control.
- Offers lowest life-cycle cost of any UVC product. Return on investment is often less than one year.
- Uses patented state-of-the-art solid-state electronic power supply for enhanced reliability and performance.
- Produces no ozone or other secondary contaminants.
- Installs quickly and easily, with no need to open equipment.
- Improves Indoor Air Quality (IAQ).

# Model RSE II Specifications

All SteriLight II™ units shall be factory assembled and tested. They shall consist of a fixture, power supply, Emitter sockets and two Emitters.

The fixture shall be constructed of galvanized steel to withstand HVAC environments and shall be equipped with a 1/2" electrical conduit opening to facilitate wiring. All components shall be incorporated into one integral assembly that maximizes serviceability. It shall be designed for



This product may be covered by one or more of the following patents, others pending: 5,334,347 / 5,817,276 / 5,866,076 / 6,245,293 / 6,267,924 / 6,280,686 / 6,313,470 / 6,372,186 / 6,423,882 / 6,500,267 / 6,589,476 / 6,627,000 / 6,997,578 / 7,140,749 / 7,282,728 / 7,459,694.

mounting from outside the airstream with only the Emitters in the conditioned air. The Emitters shall be held in place and supported in the airstream by a patented integral collar, o-ring and heavy-duty fastener. The housing shall include an on-off switch and an indicator light to verify that the Emitters are functioning.

The power supply shall be a Class P2, electronic rapid start type with a power factor of >0.98 and a power conversion of >90%. It shall be available in 120-277 V, 50/60 Hertz, single phase. It shall be designed to maximize photon production, irradiance and reliability in cold or moving airstreams of 0-140° F, 100% RH. The design shall include RF and EMI suppression.

The sockets shall be a Circline® 4-pin type with sufficient wire length for ease of service.

The Emitters shall be a high output, hot cathode, T5 diameter, Circline® cell-base that produces a germicidal UVC band of 253.7 nm. Each tube shall operate in air velocities of up to 2000 fpm and air temperatures of 35-140° F. It shall produce no ozone or other secondary contaminants.

Unit shall comply with ANSI/UL Standards 153, 1598 and 1995 and CSA standards. The manufacturer shall be an ISO 9001:2008 certified facility.

## Ordering Information

Model No.	Part No.	Description	Length	Electrical
RSE 102-10 HO-PKG	43000370	RSE II A Coil Kit	2-10" Emitters, 10" Ctr	35 W 120-277 V
RSE 102-14 HO-PKG	43000570	RSE II A Coil Kit	2-10" Emitters, 14" Ctr	35 W 120-277 V
RSE 162-10 HO-PKG	43000340	RSE II A Coil Kit	2-16" Emitters, 10" Ctr	55 W 120-277 V
RSE 162-14 HO-PKG	43000540	RSE II A Coil Kit	2-16" Emitters, 14" Ctr	55 W 120-277 V
RSE 202-10 HO-PKG	43000350	RSE II A Coil Kit	2-20" Emitters, 10" Ctr	70 W 120-277 V
RSE 202-14 HO-PKG	43000550	RSE II A Coil Kit	2-20" Emitters, 14" Ctr	70 W 120-277 V
RSE 242-10 HO-PKG	43000360	RSE II A Coil Kit	2-24" Emitters, 10" Ctr	82 W 120-277 V
RSE 242-14 HO-PKG	43000560	RSE II A Coil Kit	2-24" Emitters, 14" Ctr	82 W 120-277 V
RSE 2-10 HO	43000700	Single Ended Fixture only	10" Center	W 120-277 V
RSE 2-14 HO	41000700	Single Ended Fixture only	14" Center	W 120-277 V
RGTS 10 HO	22000400	UVC Emitter	10"	35 W N/A
RGTS 16 HO	22000300	UVC Emitter	16"	55 W N/A
RGTS 20 HO	22000100	UVC Emitter	20"	70 W N/A
RGTS 24 HO	22000200	UVC Emitter	24"	82 W N/A

# STERIL-AIRE®

**Steril-Aire, Inc.**

**Corporate Office:**

2840 N. Lima Street  
Burbank, CA 91504  
Telephone: 818-565-1128  
Fax: 818-565-1129

Website: [www.steril-air.com](http://www.steril-air.com)  
Email: [sales@steril-air.com](mailto:sales@steril-air.com)



Complies with current U.S. and Canadian safety standards for use in HVAC equipment



Registered to ISO 9001:2000  
File No. A13253

Represented By:

